



AS-WLT100-W

AS-LT100PRO-W

AeroSENSE - IAQ Sensor

KEY FEATURES

General:

- Display: 3.5" TFT touchscreen color display, 480*320 resolution
- Power supply: DC5V, DC12V, AC24V, AC220v
- Network: Wi-Fi connective (2.4G), LoRaWAN (Option)
- USB data export(.txt)
- Data record interval time- 1,5,15,30,60 mins
- Multi language
- Screen lock with password
- C/F temperature display
- History data - 7000 records

Sensors:

- CO2, Temp, Humidity calibration
- External CO2/RH/Temp sensor(Optional)
- Humidity sensor (+/- 3%)
- Auto change daylight savings (DST)
- CO2 Sensor
 - NDIR CO2 sensor, 15 years life time
 - CO2 high, low alert message reminder and buzzer
- Ambient light sensor
 - Auto ON/OFF
 - Night light option (Auto On/Off)
 - Auto backlight diming
- Graphical display - 7 days
 - CO2 history
 - Temperature history
 - Humidity history

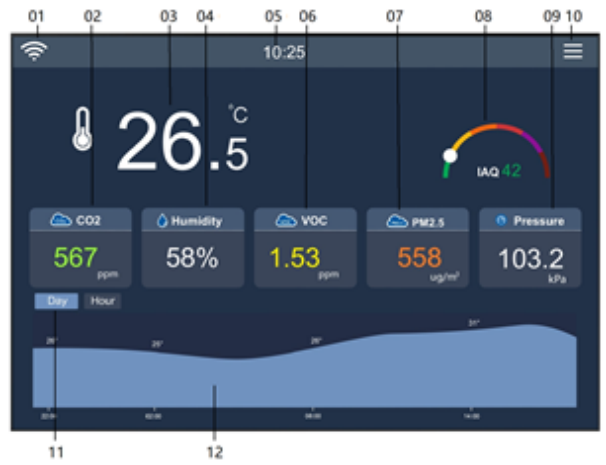


Ordering Info:

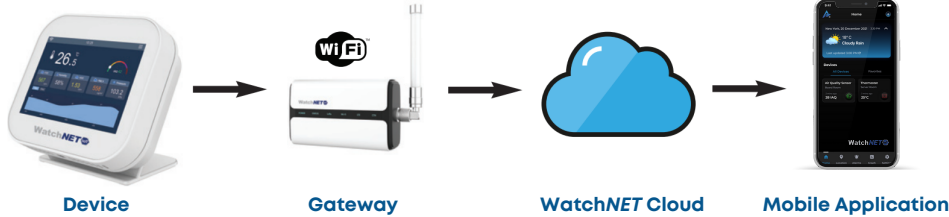
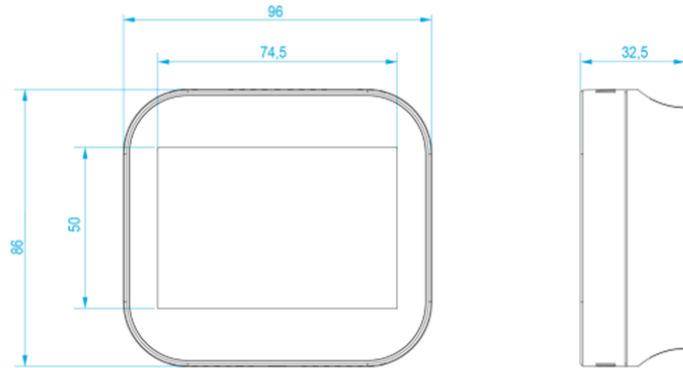
AS-WLT100-W : WiFi

AS-LT100PRO-W: LoRaWAN & WiFi

TECHNICAL DATA	
Power Supply	USB Supply, DC5V
Display	320x480 pixels color TFT Capacitive touch
LoRaWAN	915mHz
WiFi	IEEE 802.11 b/g/n - 2.4ghz
Modbus	RTU / TCP
Security	WPA/WPA2
Operating temperature	1° C- 85° C
Sensors	CO2: 0-5000 ppm (± 30 ppm + 3%MV) Temperature: -10°C – 70°C, Humidity: 0 – 100%, ± 3 % VOC: 0-500 Particulate Matter (PM1.5, PM2.5, PM4, PM10): 4 KB0-100 $\mu\text{g}/\text{m}^3$ (± 10 $\mu\text{g}/\text{m}^3$), 100 – 1.000 (± 10 %) Pressure: 50 to 115 kPa, ± 1 kPa accuracy
Communication	WiFi -MQTT, modbus TCP LoRaWan(Optional) Modbus RTU/TCP
Data protocols	MQTT Device Configuration Using HTTP Download OTA Updates Via HTTP
NDIR life time	15 Years
Standby power consumption	≤ 0.5 W
Display dimensions	76.5 X 52 mm (W/H)
Dimensions (W/H/D)	96 * 86 * 32.5 (mm)
Weight	≤ 200 g
Enclosure rating	IP 21
Product material	PC + ABS plastic
Data Export	WiFi - uploading data to MQTT server LoRaWAN - sends data to LoraWAN gateway Modbus RTU/TCP - Communicate to user's BMS USB data export - Communicate to user's PC via Mini - USB cable



01. WiFi & LoRaWAN	07. PM2.5
02. CO2	08. AQI
03. Room temperature	09. Pressure
04. Humidity	10. Settings
05. Time	11. History data option
06. VOC	12. History data



*All logos & trade marks represent the registered users only. All rights reserved.
*All product specifications on this brochure are subject to change without notice.



CANADA:
351 Ferrier Street Unit 5
Markham, Ontario L3R 5Z2
Tel: 416-410-6865
Toll Free: 1-866-843-6865

USA:
171 Cooper Ave.
Suite 110 Tonawanda,
NY 14150 USA
Tel: 1-716-877-7277
Toll Free: 1-866-843-6865

MIDDLE EAST:
PO Box No 126312
Office Suite 703 Oxford Tower
Business Bay Dubai, UAE
Tel: + 971 4 2767117

www.watchnetiot.com
info@watchnetiot.com